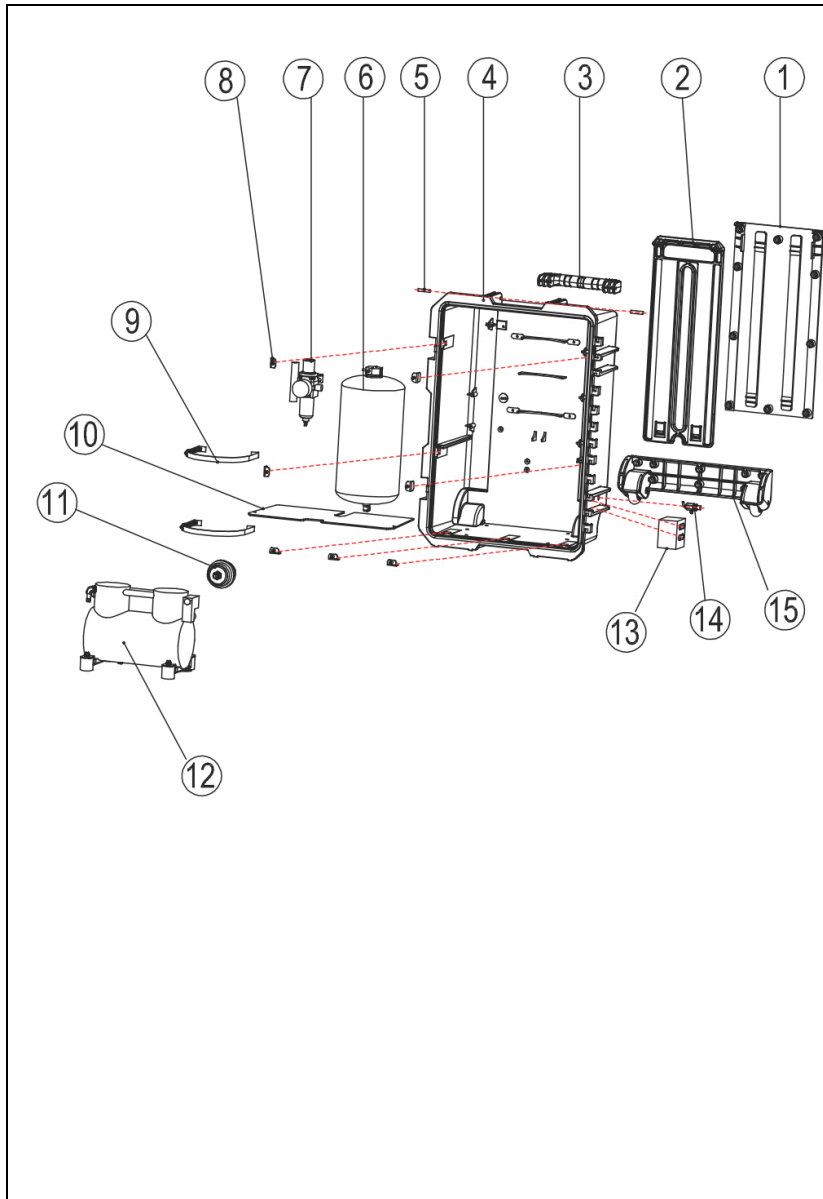


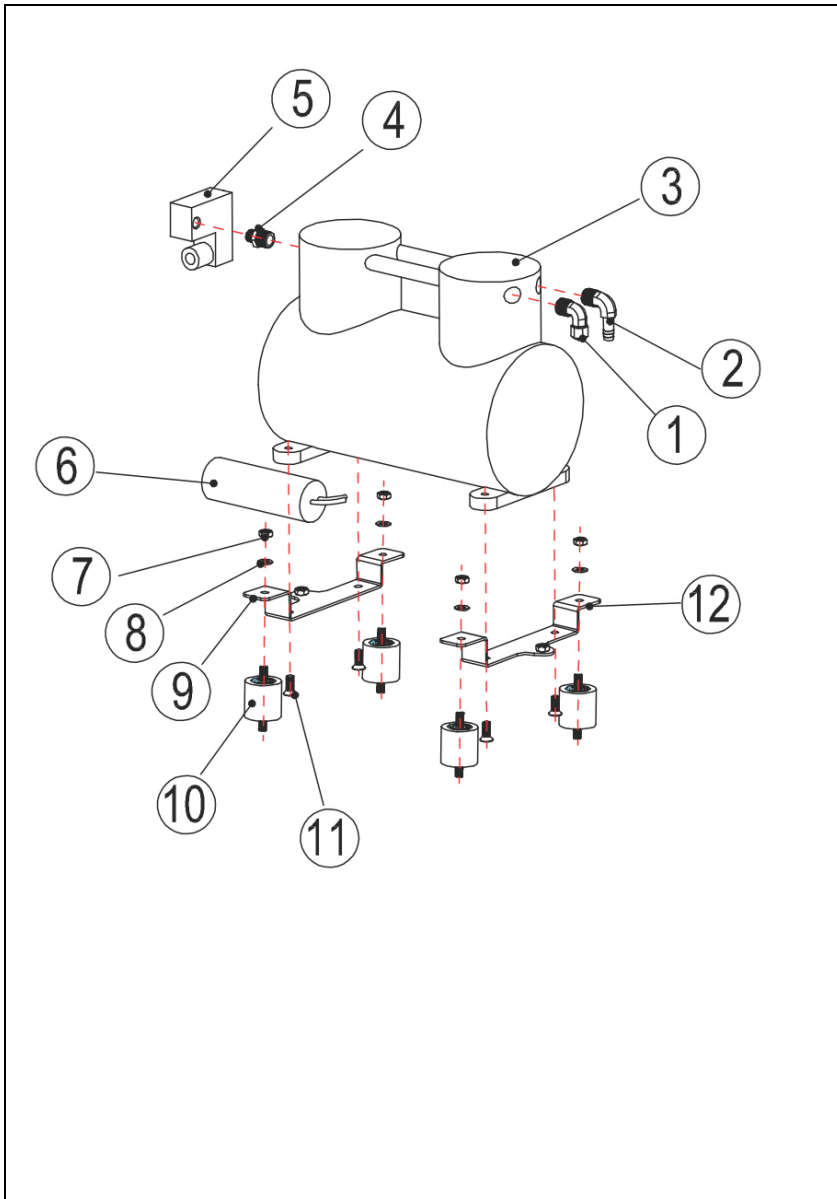
PC2630 Parts List

12	11	10	9	8	7	6	5	4	3	2	1			
												Number	Description	Part Number
												1	HP Switch extension (2930) model only	PC-25-P26
												2	Switch Bracket (2930) model only	PC-25-P27
												3	Distribution Block	PC-P2106-M4
												4	Pressure Gauge	PC-P2016
												5	Water Relay	PC-P2023
												6	Mini Pressure Regulator	PC-2630N-RP1
												7	Bottle Cap Bracket	NA
												8	Bottle Cap	PC-P2105
												9	Air Venturi Valve	PC-2630-P001
												10	Front Control Cover	PC-P2203
												11	Handpiece Holder	PCP-N-RP1
												12	Waste Bottle Cap	Included with PN 13.
												13	Waste Bottle	PC-2630N-SWC
												14	Clean Water Bottle 750ml	PC-P2107
												15	On / Off Receptacle	PC-P2005C-N
												16	Resettable Fuse	PC-P2027-10
												17	Cooling Fan	PC-P2006
												18	Routing Valve (PC-2630) Model only	PC-P2104
												19	Flow Control Needle Valve	52007
												20	ON/Off toggle (Bottle System)	52010
												21	Switch (PC-2930) model only	NA
												22	HP tubing 5'	52036
												23	Syringe Tubing 5'	52038
												24	Saliva Ejector Tubing per ft.	2000-SETUBING
												25	Foot Control	53117
												26	3-Way Syringe	TPC3-WAY

PC2630 Parts List



Number	Description	Part Number
1	Back Support Plate	
2	Pull Handle	PC-P1004
3	Handle	PC-P2204
4	Back Case	PC-P2204-P
5	Handle Pin	
6	Tank w/ Check Valve	PC-P1003
7	Master Regulator W/ Separator	PC-P2630N-P2004
8	Mounting bracket	
9	Tank Strap	
10	Separator Plate	
11	Air Filter	PC-P2014
12	Motor W/ Start Cap 110V	PC-P1001
13	Door Latch	
14	Drain Valve	PC-P2017
15	Wheel assembly	PC-P2202



Number	Description	Part Number
1	90 Degree Elbow C	
2	90 degree elbow T	
3	Motor 110V Complete	PC-P1001
4	Threaded union	
5	Pressure Relif Valve	PC-2630N-PW
6	Capacitor > included w/ Motor	
7	Nut	
8	Washer	
9	Motor Bracket	
10	Rubber Leg	
11	Screw	